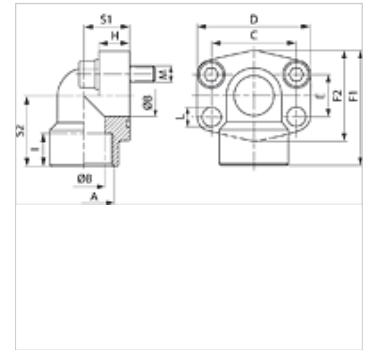
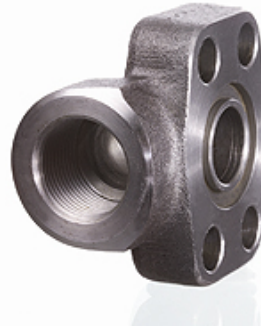


AFS 90 G (3000 PSI)

SAE screw-in flange, BSP, angle 90°

Properties

Pressure series	3000 psi
Standard	SAE J 518 C ISO 6162
Construction	Angle 90°
Design	SAE screw-in flange
Mounting	Screw bore hole
Included in scope of supply	flange only
Material	S355J2G3 (ST52.3)
Surface	black oiled



Note

The stated maximum working pressure relates to the flange. The actual working pressure is determined by the pipe (wall thickness) and the quality of the pipe.

Recommended screws are listed in the columns M (metr) and M (unc).

Item

Identification	PB 10.9 (bar)	Size	A	Ø B (mm)	C (mm)	E (mm)	F1 (mm)	I (mm)	S1 (mm)	S2 (mm)	L (mm)	M metr.	M unc
AFS 80/90 G	350	1/2"	G 1/2" -14	13	38,1	17,5	60	19	20	37	9,0	M 8 x 30	5/16" x 1.1/4"
AFS 80/90 G 038	350	1/2"	G 3/8" -19	13	38,1	17,5	60	19	20	37	9,0	M 8 x 30	5/16" x 1.1/4"
AFS 100/90 G	350	3/4"	G 3/4" -14	19	47,6	22,2	63	19	24	38	11,0	M 10 x 35	3/8" x 1.1/2"
AFS 102/90 G	315	1"	G 1" -11	25	52,4	26,2	70	20	28	43	11,0	M 10 x 35	3/8" x 1.1/2"
AFS 104/90 G	250	1.1/4"	G 1.1/4" -11	32	58,7	30,2	85	22	34	51	11,5	M 10 x 40	7/16" x 1.1/2"
AFS 106/90 G	200	1.1/2"	G 1.1/2" -11	38	69,9	35,7	95	25	38	56	13,5	M 12 x 45	1/2" x 1.3/4"
AFS 108/90 G	200	2"	G 2" -11	51	77,8	42,9	110	28	42	65	13,5	M 12 x 45	5/8" x 2"

PN = Nominal pressure PB = Max. operating pressure

Product versions

AFS 90 G M (3000 / 6000 PSI)	SAE screw-in flange, BSP, angle 90°, with metric screw set and O-ring
AFS 90 G U (3000 / 6000 PSI)	SAE screw-in flange, BSP, angle 90°, with UNC screw set and O-ring